

Electro *Kinetic* Technologies

Ergonomic Solutions for Transport



PROUDLY
MADE IN AMERICA

REDUCE employee injuries from strain and fatigue

SAFELY transport materials across various surfaces and inclines

IMPROVE your ergonomic footprint

BOOST employee morale and productivity

INCREASE your bottom line profitability



1061

Electric Tugger

When the job calls for pulling, pushing, lifting or turning, our products help you get the job done **safely**.

(262) 250-7740
sales@ek-tech.com

W194 N11301 McCormick Drive
Germantown, Wisconsin 53022

Electro *Kinetic* Technologies
Ergonomic Solutions for Transport



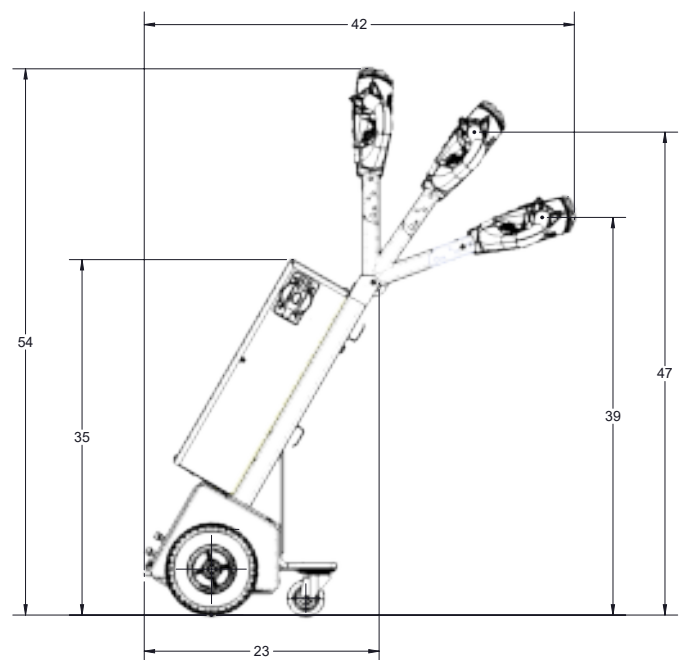
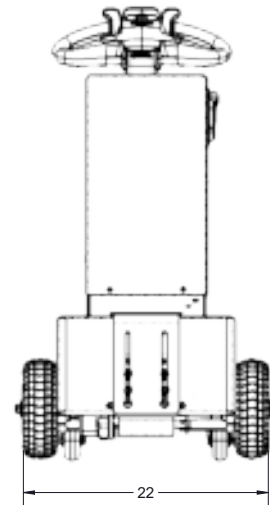
www.ek-tech.com

ELECTRO KINETIC TECHNOLOGIES

SPECIFICATIONS

Recommended Max Load:	1500 lbs. on flat surface
Incline Rating:	30 degrees with de-rated load capacity
Length:	22 to 42 inches adjustable
Width:	22 inches
Variable Speed Range:	0 to 1.5 mph low 0 to 3.0 mph high
Battery:	35 Ah, AGM Deep Cycle, 8 hours of operation
Battery Charger:	Internal, 120/240 VAC, 47-63 Hz, UL, cUL, CE
Recharging Time:	Approximately 4 hours
Parking Brake:	Electromagnetic
Chassis:	Welded steel with powder coated finish
Drive Wheel:	Puncture proof, non-marking
Operating Temperature:	-40° C to +70° C
Charging Temperature:	-23° C to +60° C
Noise Level:	< 65 dBA
Ingress Protection:	IP 42, Controller IP 54

DIMENSIONS



When the job calls for pulling, pushing, lifting or turning, our products help you get the job done **safely**.

(262) 250-7740
sales@ek-tech.com

W194 N11301 McCormick Drive
Germantown, Wisconsin 53022

Electro *Kinetic* Technologies
Ergonomic Solutions for Transport



www.ek-tech.com

OPTIONS



Part No: 99-300-0046
Base hitch with adjustable manual hook. Custom hooks available.



Part No: 0244-300-02
Pintle with ball hitch

- 2" stainless steel ball. Other sizes available.
- Made of forged steel
- Finish, black powder coat



Part No: 0244-302
Pintle hook coupler

- Drawbar eye dimensions 2" to 3" ID with 1 1/4" to 1 5/8".
- Made of forged steel
- Finish, black powder coat



Part No: 0244-349
Hitch with quick 1/2" release pin.



Part No: 0706-60
8-foot power cord.



Part No: 0706-50
Hospital grade 8-foot power cord.



Part No: 1061-BLW
1061 tuggy with black drive wheels instead of standard grey non-marking.

OPTIONS



Part No: 99-500-0005
Hitch with electronic locking. Custom hooks available.



Part No: 0244-301-35
Ball hitch

- 2" stainless steel ball. Other sizes available.
- Finish, black powder coat



Part No: 0244-312
Double hole hitch for pin connections.



Part No: 0244-302-299
Ring coupler for mounting on cart.

- 5,000 lb. towing capacity
- Latches in vertical position when not in use for safety
- Works with 0244-302 hitch



Part No: 0244-301-12
Ball coupler hitch for mounting on carts.

- 5,000 lbs. towing capacity
- Latches in vertical position when not in use for safety
- Works with 0244-301-25 and 0244-302-35 hitches



Part No: 0244-301-25
Ball coupler hitch for mounting on carts.

- 5,000 lbs. towing capacity
- Safety bar for protection
- Works with 0244-301-12 to allow connection of multiple carts in a train

When the job calls for pulling, pushing, lifting or turning, our products help you get the job done **safely**.

(262) 250-7740
sales@ek-tech.com

W194 N11301 McCormick Drive
Germantown, Wisconsin 53022

Electro *Kinetic* Technologies
Ergonomic Solutions for Transport



www.ek-tech.com