

# Electro *Kinetic* Technologies

Ergonomic Solutions for Transport



PROUDLY  
MADE IN AMERICA

**REDUCE** employee injuries from strain and fatigue

**SAFELY** transport materials across various surfaces and inclines

**IMPROVE** your ergonomic footprint

**BOOST** employee morale and productivity

**INCREASE** your bottom line profitability



## 1061-HD

### Electric Tugger

When the job calls for pulling, pushing, lifting or turning, our products help you get the job done **safely**.

**(262) 250-7740**  
sales@ek-tech.com

W194 N11301 McCormick Drive  
Germantown, Wisconsin 53022

Electro *Kinetic* Technologies  
Ergonomic Solutions for Transport

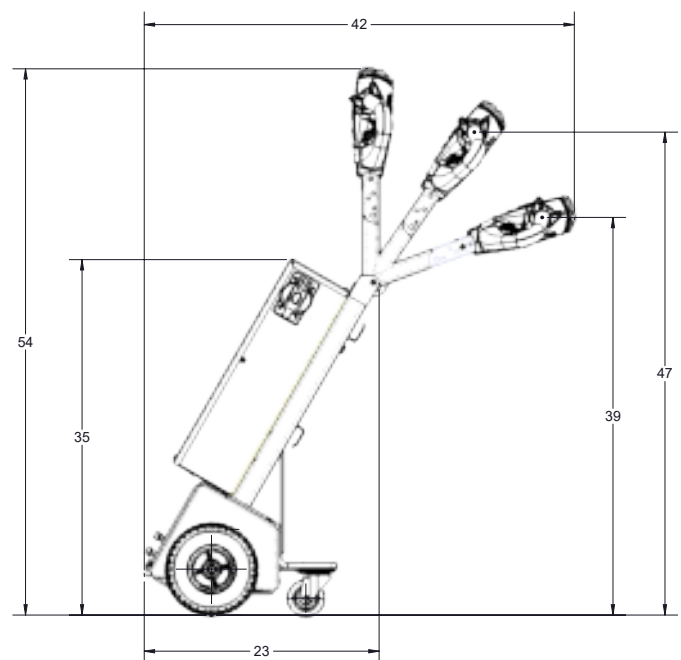
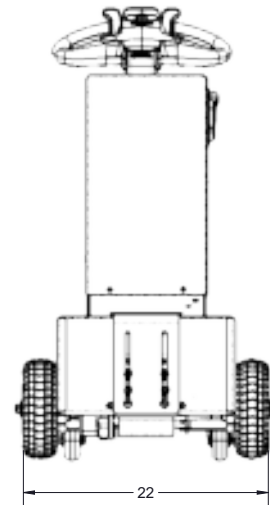


www.ek-tech.com

# SPECIFICATIONS

<b>Recommended Max Load:</b>	2000 lbs. on flat surface
<b>Incline Rating:</b>	30 degrees with de-rated load capacity
<b>Length:</b>	22 to 42 inches adjustable
<b>Width:</b>	22 inches
<b>Variable Speed Range:</b>	0 to 1.5 mph low 0 to 3.0 mph high
<b>Battery:</b>	35 Ah, AGM, 8 hours of operation
<b>Battery Charger:</b>	Internal, 120/240 VAC, 47-63 Hz, UL, cUL, CE
<b>Recharging Time:</b>	Approximately 4 hours
<b>Parking Brake:</b>	Electromagnetic
<b>Chassis:</b>	Welded steel with powder coated finish
<b>Drive Wheel:</b>	Puncture proof, non-marking
<b>Operating Temperature:</b>	-40° C to +70° C
<b>Charging Temperature:</b>	-23° C to +60° C
<b>Noise Level:</b>	< 65 dBA
<b>Ingress Protection:</b>	IP 42, Controller IP 54

# DIMENSIONS



When the job calls for pulling, pushing, lifting or turning, our products help you get the job done **safely**.

**(262) 250-7740**  
sales@ek-tech.com

W194 N11301 McCormick Drive  
Germantown, Wisconsin 53022

Electro *Kinetic* Technologies  
Ergonomic Solutions for Transport



www.ek-tech.com

## OPTIONS



**Part No: 99-300-0046**  
Base hitch with adjustable manual hook. Custom hooks available.



**Part No: 0244-300-02**  
Pintle with ball hitch

- 2" stainless steel ball. Other sizes available.
- Made of forged steel
- Finish, black powder coat



**Part No: 0244-302**  
Pintle hook coupler

- Drawbar eye dimensions 2" to 3" ID with 1 1/4" to 1 5/8".
- Made of forged steel
- Finish, black powder coat



**Part No: 0244-349**

- Hitch with quick 1/2" release pin
- Length 18"
- Custom lengths available



**Part No: 0706-60**  
8-foot power cord.



**Part No: 0706-50**  
Hospital grade 8-foot power cord.



**Part No: 1061-HD-BLW**  
1061-HD tuggy with black drive wheels instead of standard grey non-marking.

## OPTIONS



**Part No: 99-500-0005**  
Hitch with electronic locking. Custom hooks available.



**Part No: 0244-301-35**  
Ball hitch

- 2" stainless steel ball. Other sizes available.
- Finish, black powder coat



**Part No: 0244-312**  
Double hole hitch for pin connections.



**Part No: 0244-302-299**  
Ring coupler for mounting on cart.

- 5,000 lb. towing capacity
- Latches in vertical position when not in use for safety
- Works with 0244-302 hitch



**Part No: 0244-301-12**  
Ball coupler hitch for mounting on carts.

- 5,000 lbs. towing capacity
- Latches in vertical position when not in use for safety
- Works with 0244-301-25 and 0244-302-35 hitches



**Part No: 0244-301-25**  
Ball coupler hitch for mounting on carts.

- 5,000 lbs. towing capacity
- Safety bar for protection
- Works with 0244-301-12 to allow connection of multiple carts in a train

When the job calls for pulling, pushing, lifting or turning, our products help you get the job done **safely**.

**(262) 250-7740**  
sales@ek-tech.com

W194 N11301 McCormick Drive  
Germantown, Wisconsin 53022

Electro *Kinetic* Technologies  
Ergonomic Solutions for Transport



www.ek-tech.com